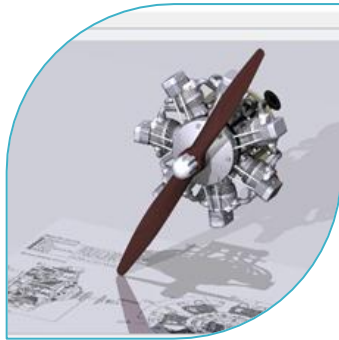
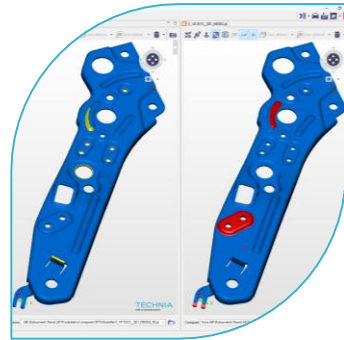


Lite3D datasheet

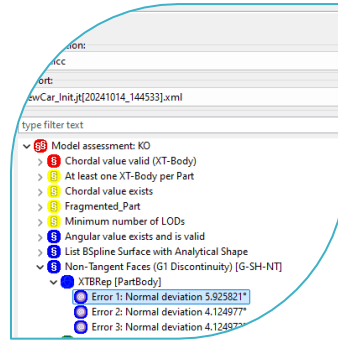
Lite3D portfolio



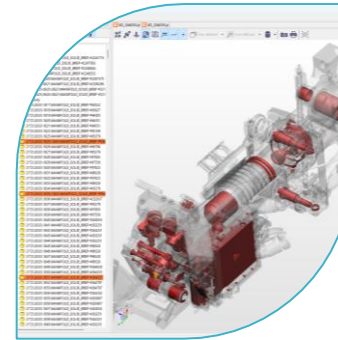
LiteBox3D
DESKTOP AND WEB
VIEWING



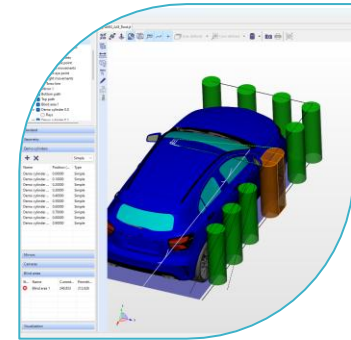
LiteCompare
COMPARE AND VALIDATE



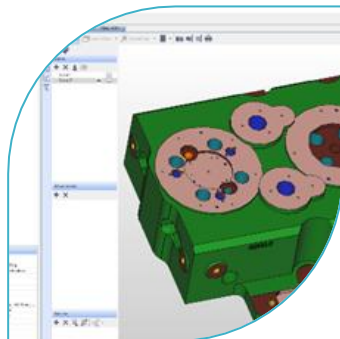
LiteComply
DATA QUALITY CHECKER



LiteDrop
SIMPLIFICATION, IP
PROTECTION



LiteCar
VEHICLE HOMOLOGATION



LiteMachine
DESIGN TO MANUFACTURE



LiteGLTF
GLTF
BATCH EXPORT

NEW

Lite3D batch tools

Lite3DHTML: *Create 3D HTML*

LiteBoundingBox: *Calculate bounding box*

LiteImage: *3D image capture*

LiteSilhouette: *3D to silhouette curve*

LiteProperties: *Manage JT properties*

Supported formats

File format compatibility:

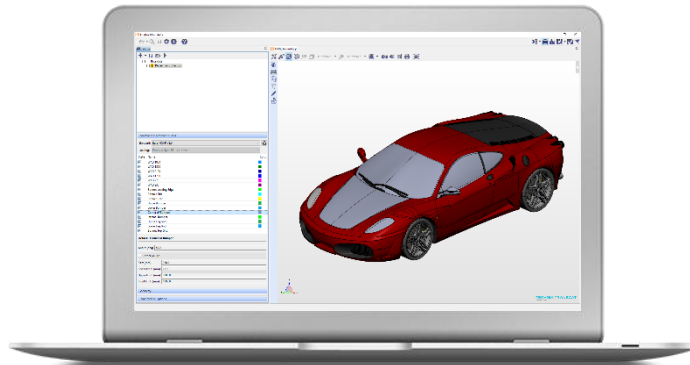
File formats supported by Lite3D applications

	JT	STEP	PLMXML	AP242 BO Model XML	VRML	OBJ	TIFF	Lite3D Redlining
LiteBox3D	✓	✓	✓	✓	✓	✓	✓	✓
LiteCar	✓	✓	✓	✓				
LiteCompare	✓	✓	✓	✓				
LiteComply	✓		✓	✓			✓	
LiteDrop	✓							
LiteMachine	✓							✓
LiteBox3D Webviewer	✓	✓	✓	✓	✓	✓		✓
Lite3DHTML.exe	✓	✓	✓	✓	✓	✓		✓
LiteGLTF.exe	✓	✓	✓	✓	✓	✓		
LiteImage.exe	✓	✓	✓	✓	✓			
LiteProperties.exe	✓							
LiteSilhouette.exe	✓	✓	✓	✓	✓	✓		

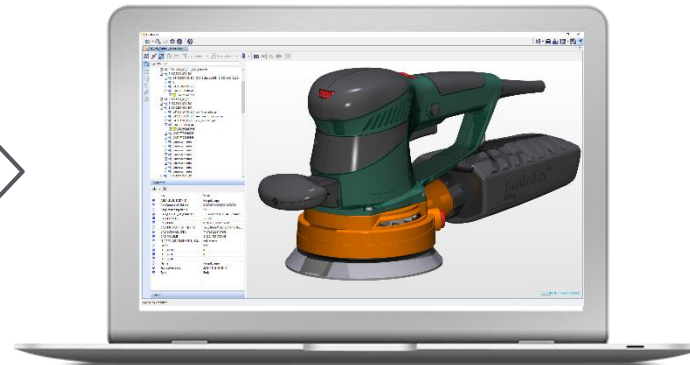
LiteBox3D

LiteBox3D

- Desktop and HTML5 web-based viewer for JT, PLMXML, STEP AP 242, ...



Free Desktop viewing
User friendly JT and STEP viewer



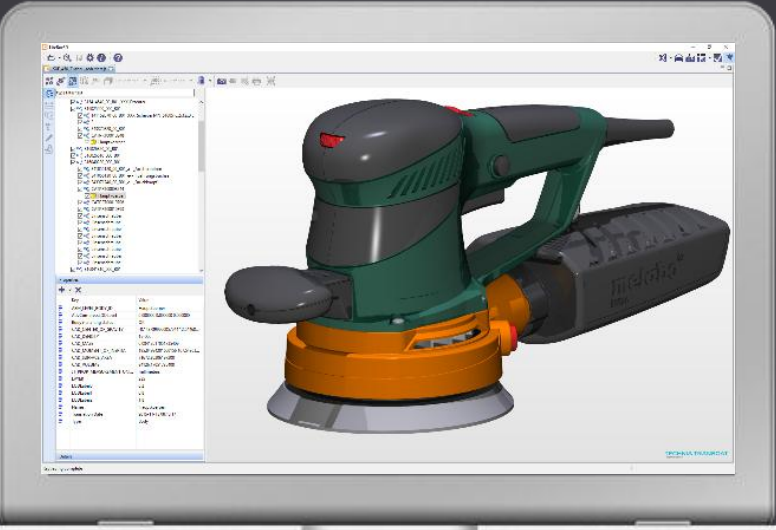
Pro Desktop viewing
Desktop Viewing with enhanced functionality




Web viewing
Viewing on any device


LiteBox3D Pro


- Desktop Viewing with enhanced functionality




EXTENDED
Additional powerful features

- Advanced measurement and clipping
- Edit Properties
- Redlining
- Move parts
- Silhouette creation
- Geometry / Topology analysis
- 3D HTML Export
- PMI Tree
- Ray tracing


SIMPLE INTEGRATION
JAVA Eclipse and REST interface allows communication with any third-party products e.g. Adobe Acrobat Reader.


YOU WANT MORE...
Solid release cycle driven by customer input

LiteBox3D web viewer

LiteBox3D web viewer

- Viewing of 3D on and Device

OPEN STANDARDS

Based on HTML5, WebGL and modern browsers. TECHNIA supports the CPO Initiative (Code of PLM Openness)

IP PROTECTION

No file-based model exchange between users. Models remain on server at any time

LOW COSTS

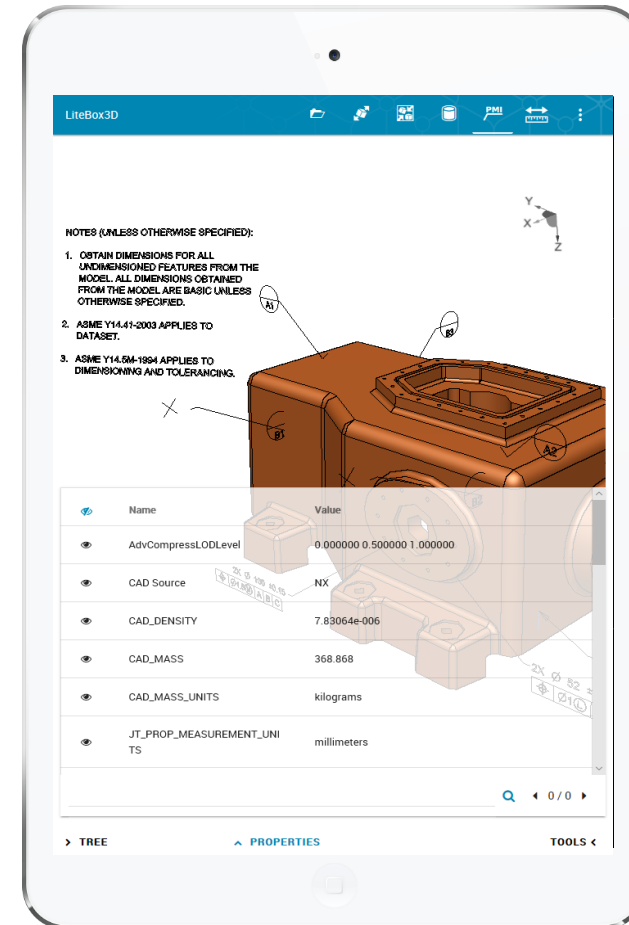
Client-side rendering

EASY ACCESS ON ANY DEVICE

Whether on mobile or at your desk, you can access your 3D-models from every device.

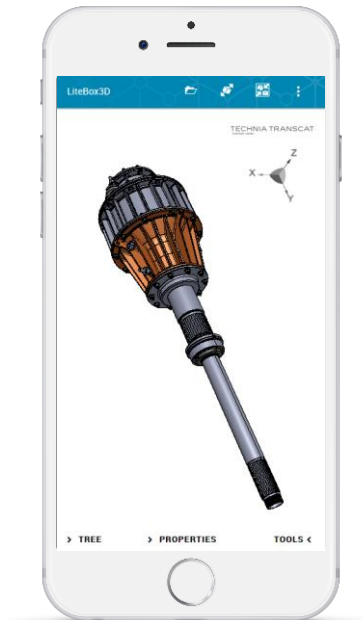
ALWAYS UP TO DATE

No more confusion due to different releases of the same model, the latest version is always accessible



3DHTML

- Ready to share 3D!



ONE FILE

Bundles LiteWeb App + 3D data + HTML Template into a .html which offers all functionality offline

EASY ACCESS ON ANY DEVICE

Whether on mobile or at your desk, you can access your 3D-models from every device.

IP PROTECTION

Protect files with password and set file expiration date

NO INSTALLATION

Only requirement is a modern web browser

CUSTOMIZATION

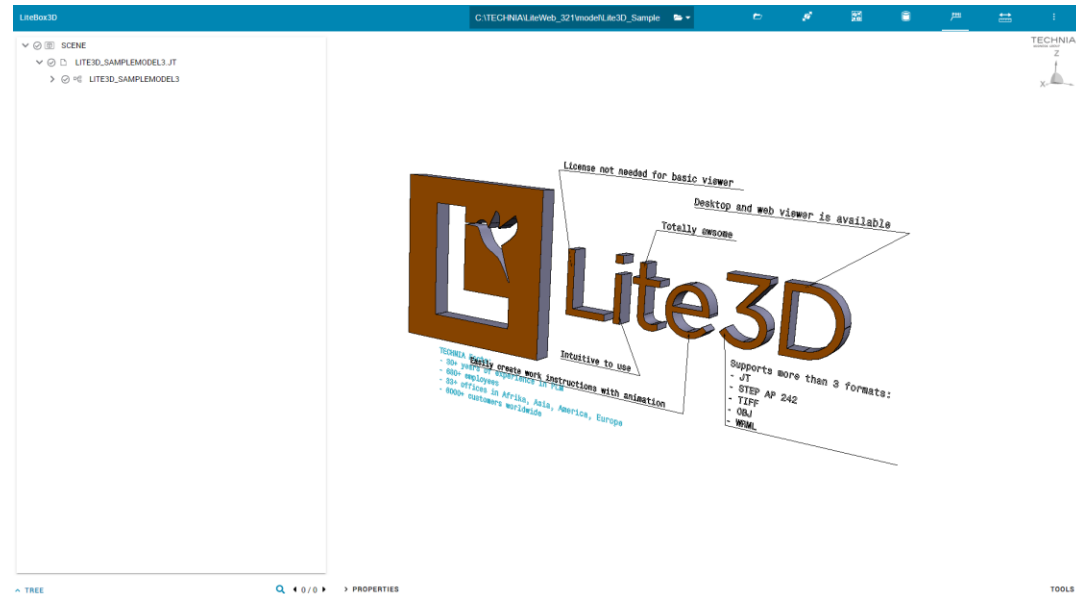
Customized templates upon user requirements

FEATURES

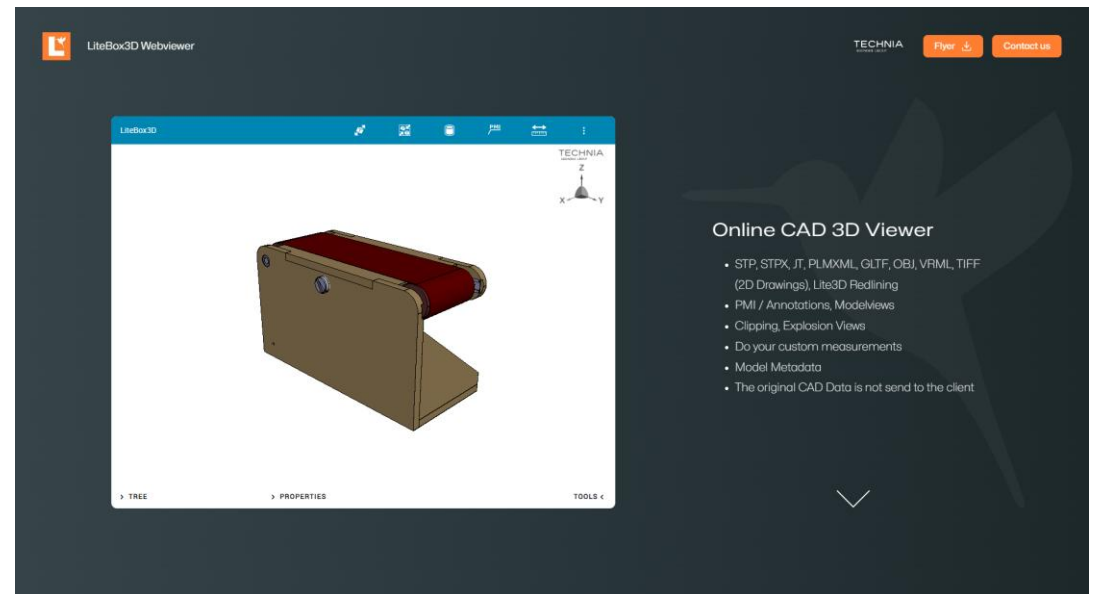
3D visualization (zoom, pan, rotate)
Meta information (properties)
Model tree
PMI and Model views
Tools like Measurement and Clipping

LiteBox3D web viewer – Try online

<https://litewebdemo.technia.com/>

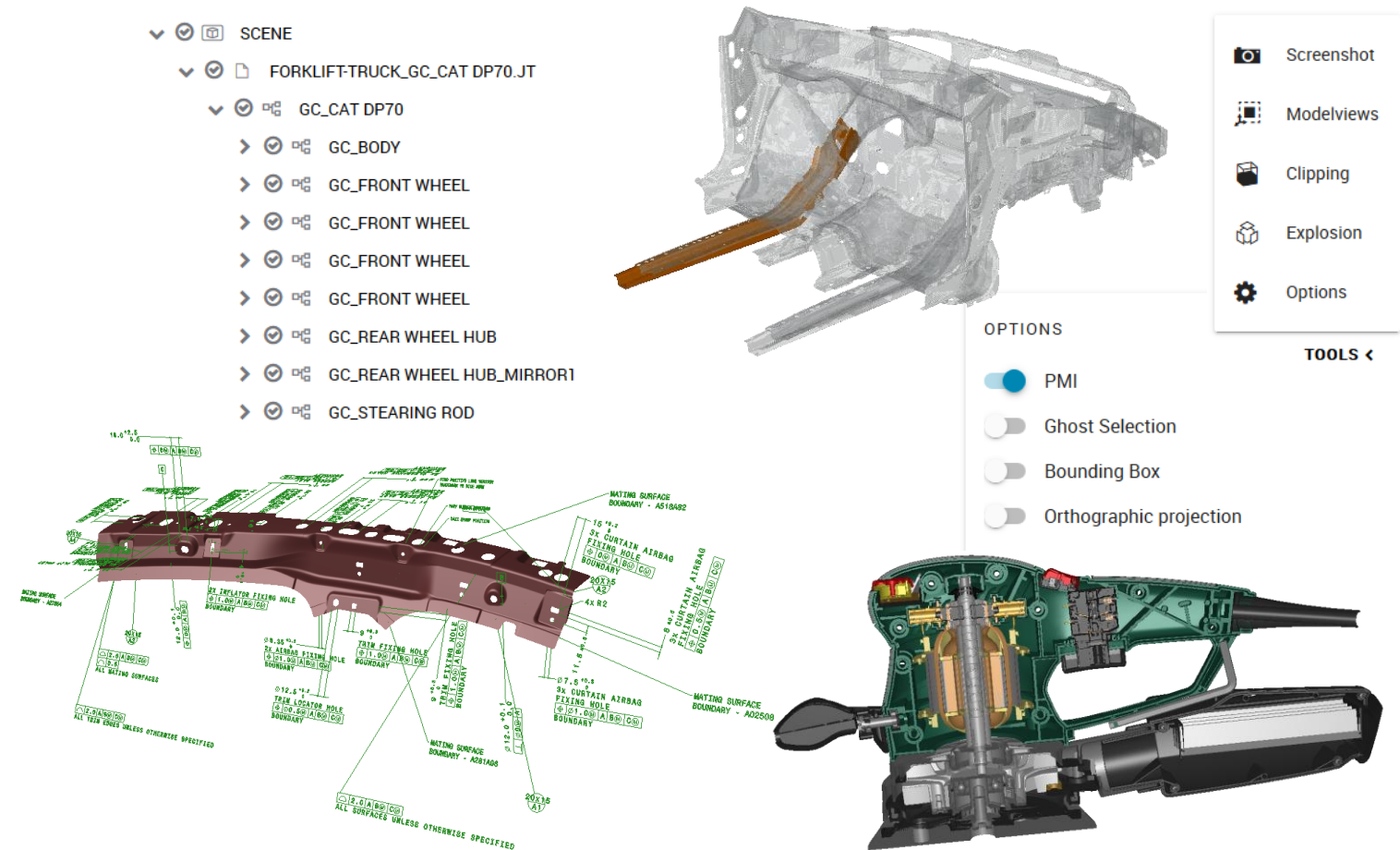


<https://litewebdemo.technia.com:9002/>



LiteBox3D Web viewer – Features

- Server options
 - Enable/Disable toolbar, tree, properties, tools
 - Define PMI and highlight color
 - Animation
- Client features
 - 3D Navigation (Pan, Zoom, Rotate)
 - Model Tree
 - Show Bounding Box
 - Show PMIs
 - Highlighting mode
 - PMI Model views
 - Measurement
 - Clipping / Intersection
 - Explosion view
 - Screenshots
 - Display Redlining from LiteBox3D Desktop



LiteBox3D web viewer – system requirements

- Hardware (minimum):
 - Memory: 16GB
 - CPU: 4 cores
 - No graphic card required
- Operating system:
 - Windows
 - Linux (Docker container)

File format compatibility:

File formats supported by Lite3D applications

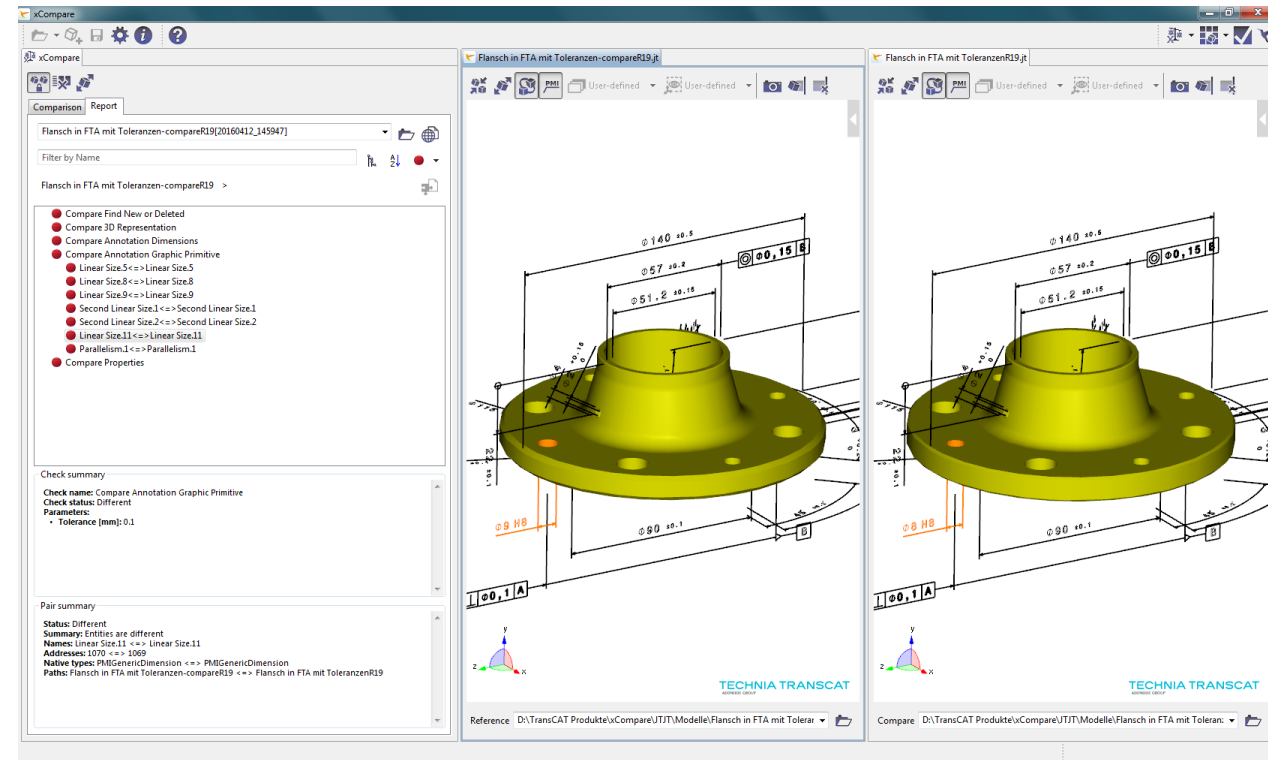
	JT	STEP	PLMXML	AP242 BO Model XML	VRML	OBJ	TIFF	Lite3D Redlining
LiteBox3D	✓	✓	✓	✓	✓	✓	✓	✓
LiteCar	✓	✓	✓	✓				
LiteCompare	✓	✓	✓	✓				
LiteComply	✓		✓	✓			✓	
LiteDrop	✓							
LiteMachine	✓							✓
LiteBox3D Webviewer	✓	✓	✓	✓	✓	✓		✓
Lite3DHTML.exe	✓	✓	✓	✓	✓	✓		✓
LiteGLTF.exe	✓	✓	✓	✓	✓	✓		
LiteImage.exe	✓	✓	✓	✓	✓			
LiteProperties.exe	✓							
LiteSilhouette.exe	✓	✓	✓	✓	✓	✓		

Lite3D process applications

LiteCompare - compare and validate

- Traceability of all design changes including meta data, structure, geometry & PMIs
- Model comparison between two files
- Powerful reports in 3DHTML format
- Avoid unacceptable differences and expensive downstream consequences

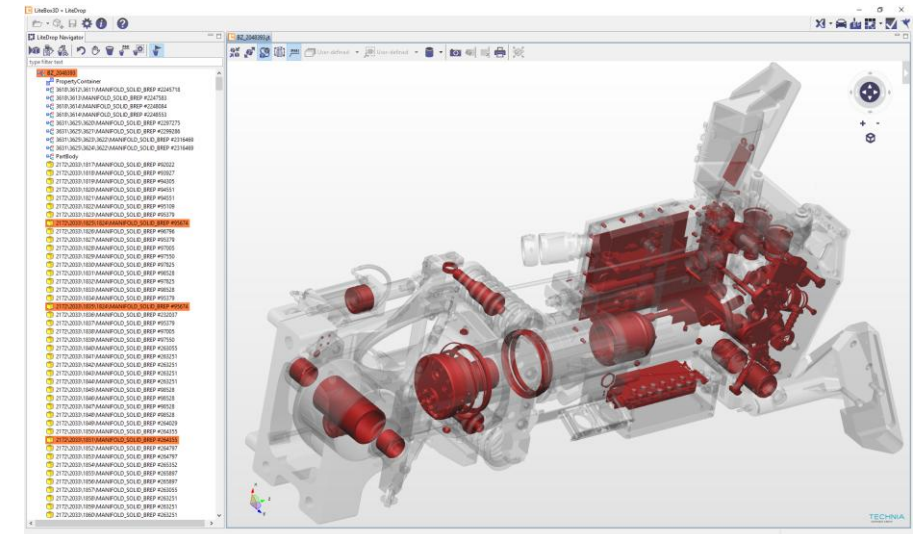
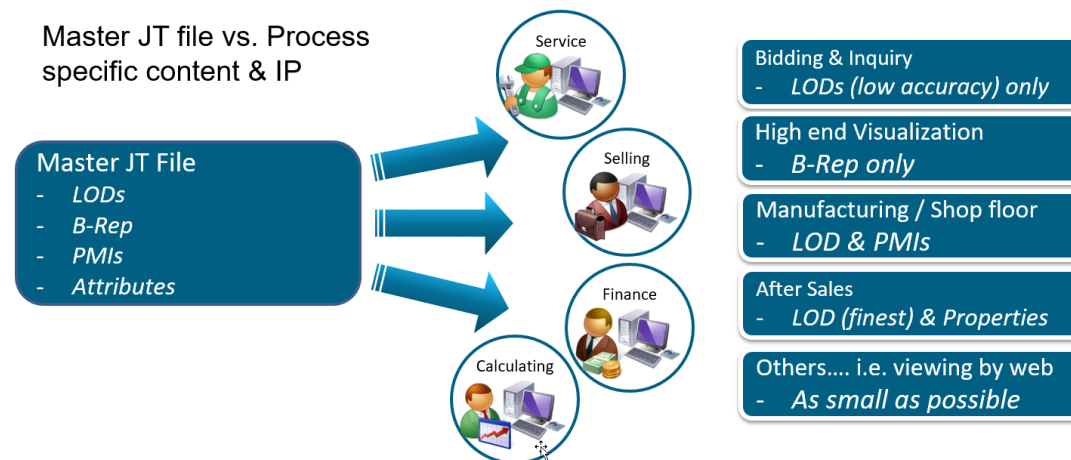
Batch
&
Interactive



LiteDrop – simplification and IP protection

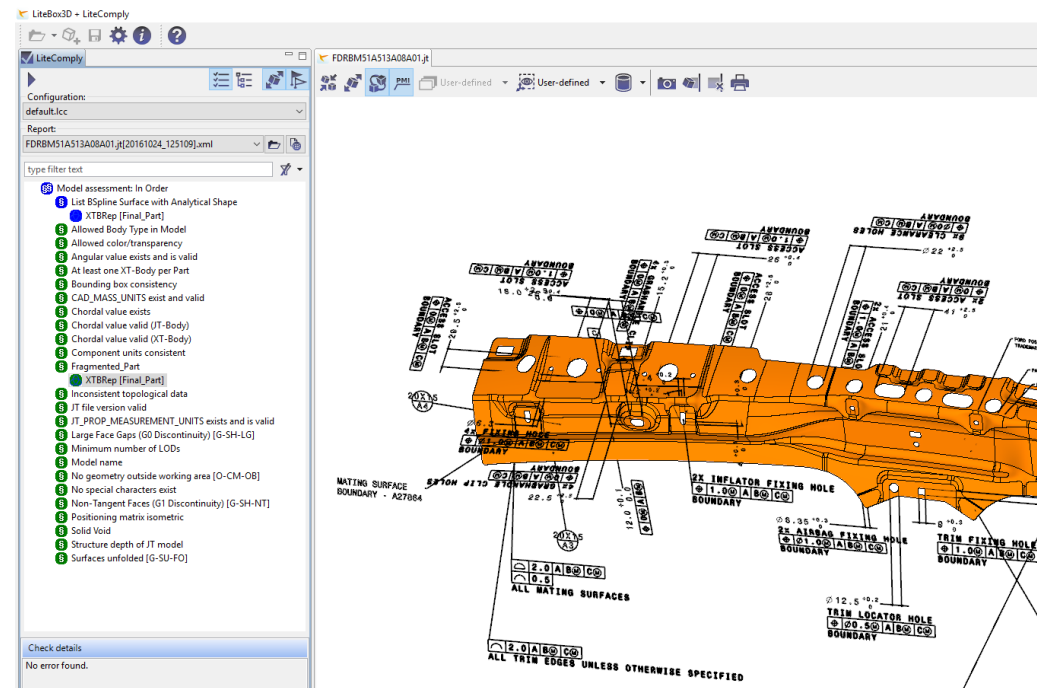
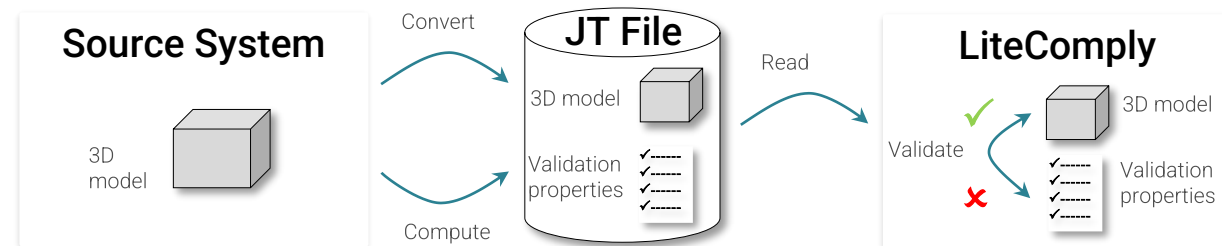
- Data clearing – extract process specific content
- Extract process specific content & IP from a master JT file
- High performance JTs with just what's needed, and you want to share
- Removal of invisible parts

Batch
&
Interactive



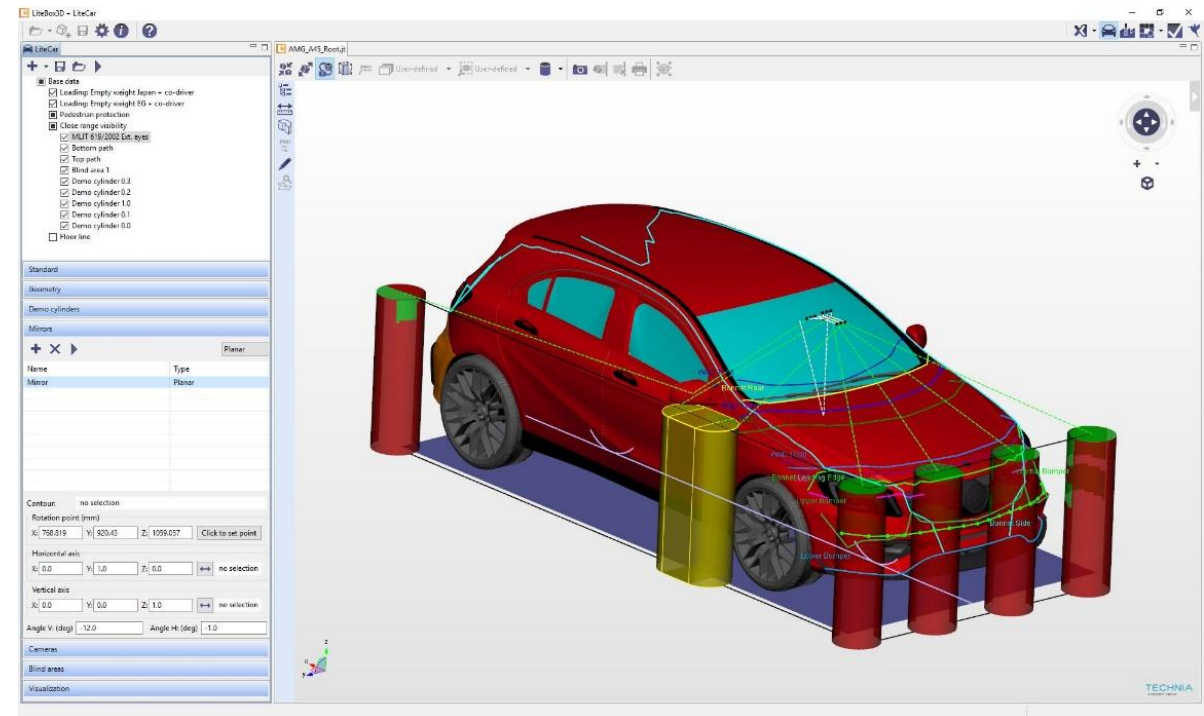
LiteComply - Data quality checker

- Establish quality standards and comply with design guidelines and quality requirements
- Enhanced cooperation between design partners with process compatible models
- Measure product data quality in JT with checks for standards and geometry as well as prove of validation properties
- Very flexible possibilities for rule definition



LiteCar - Vehicle Homologation

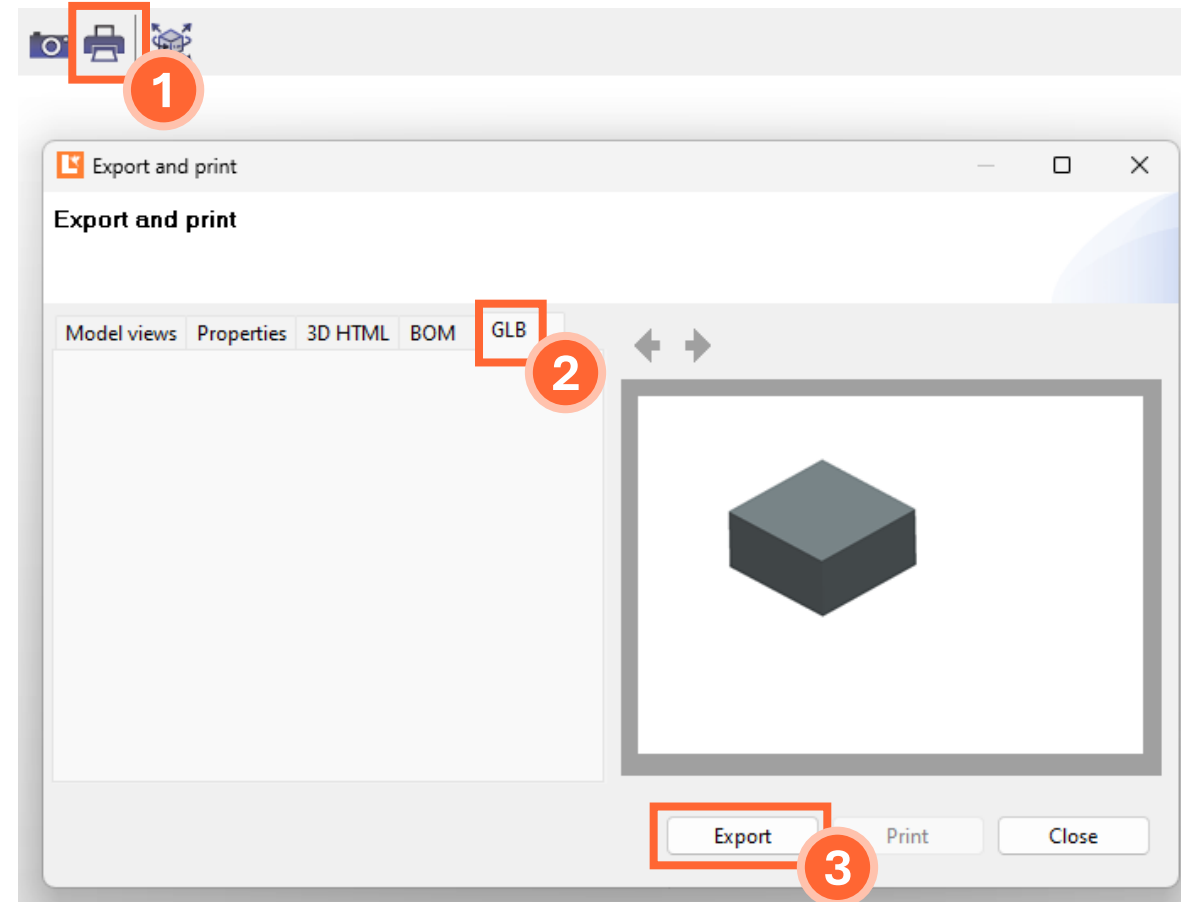
- Provide Vehicle Homologation functionality based on JT File format
- Current features:
 - Pedestrian Protection
 - Close Range Visibility
 - Bumpers
 - Side Impact
 - Crash Barriers
 - Floor line
 - Safety Radius for Exterior & Interior
- More features like in CAVA will be added over time



LiteGLTF – 3D in PowerPoint

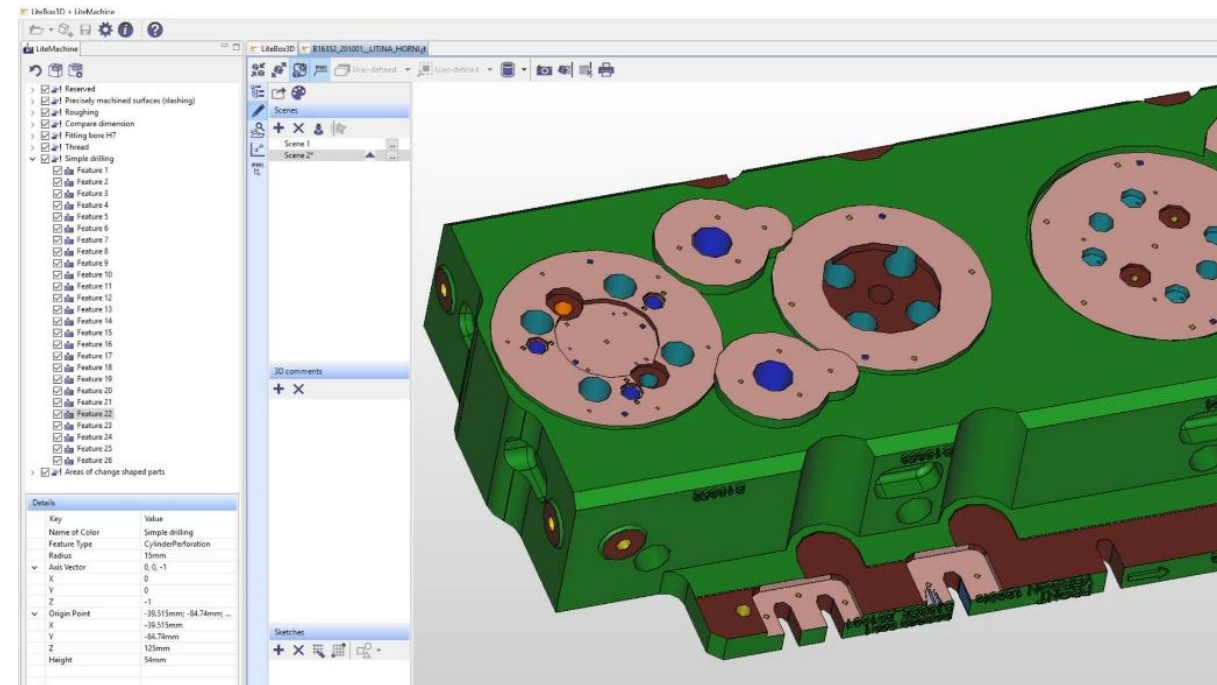
- Convert any format readable by LiteBox3D (JT, STEP, VRML, ..) to GLB/GLTF to easily import 3D models in MS Office like Microsoft Word and PowerPoint

Batch
&
Interactive



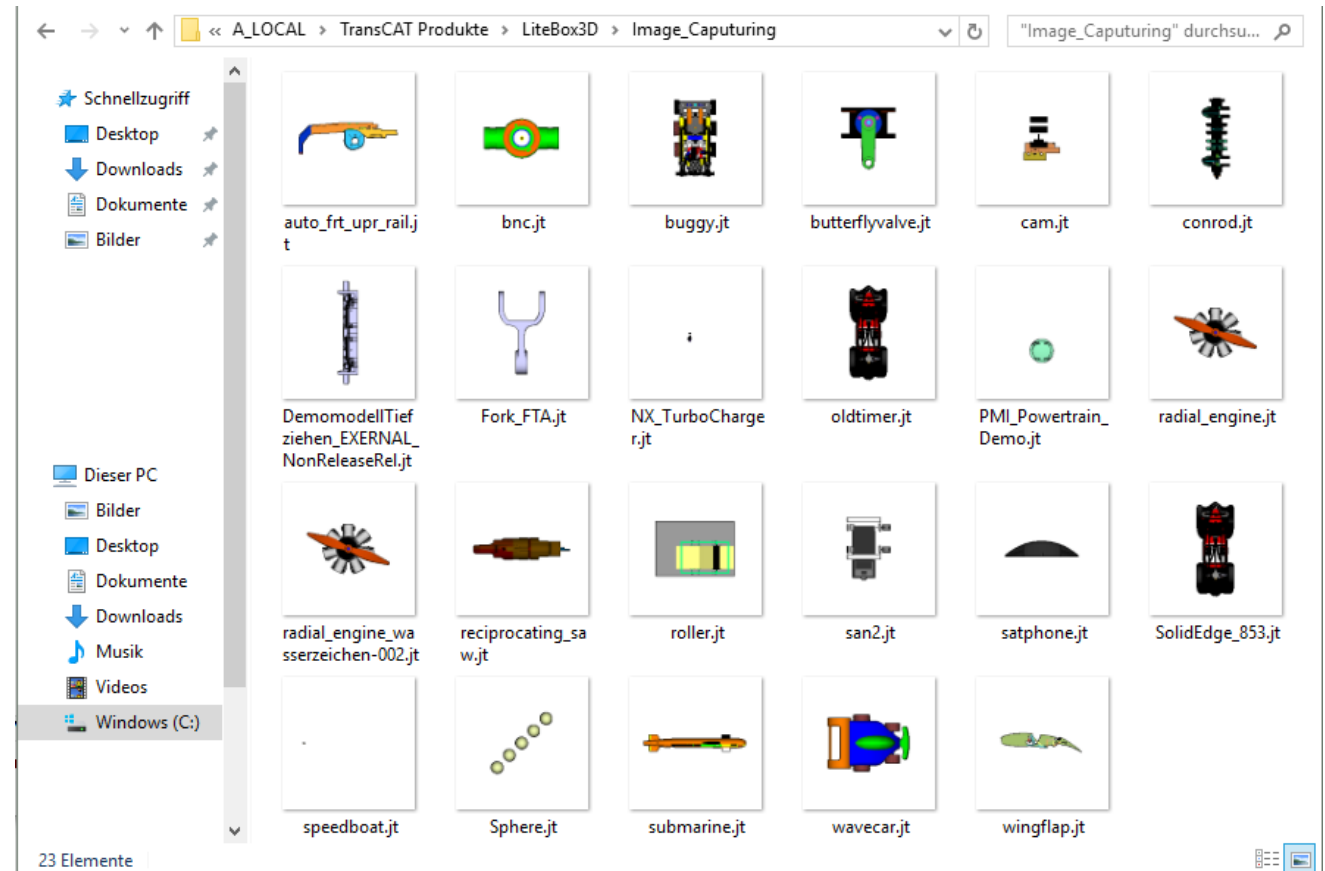
LiteMachine - Design to Manufacture

- NC work preparation - Quoting and Production scheduling based on JT
- Powerful Feature recognition based on a color code
 - LiteMachine analyzes the 3D model and automatically detects color-coded features to be manufactured.
 - Information for NC operations is calculated based on the 3D model and can be saved in an Lite3D XML file.



LiteImage - Image Batch Capture Tool

- **Thumbnail images** in PNG format for use as preview in ERP systems, etc.
- Capture Images from JT, STEP, PLMXML, etc. files in batch mode
- This feature requires a LiteImage license.



LiteProperties - Manage JT properties

- Enrich your JTs with additional meta data
- LiteProperties command line utility adds, edits, and deletes properties in a JT model
- This feature requires a LiteProperties license.

Basic command line syntax for LiteProperties.exe:

```
LiteProperties.exe [-h] [-v] [-i <config.xml>]
```

Options:

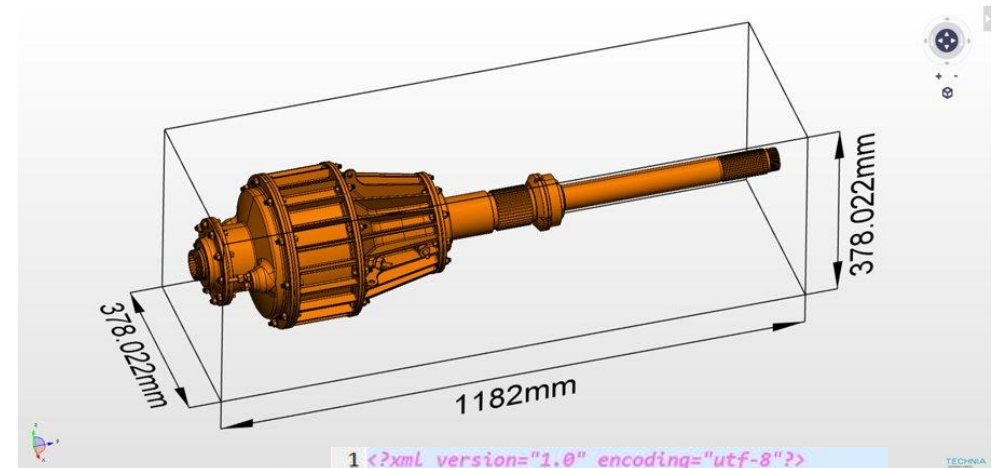
-h, -?, --help	Display only the usage message
-v, --version	Display only the version of LiteProperties utility
-i, --input <config.xml>	Name of LiteProperties configuration file

Configuration file example:

```
<TechniaTranscat>
  <LiteProperties>
    <!-- Path to input model -->
    <Input filepath="C:\path\to\model.jt" force="no">
      <!-- Edit a property -->
      <Property action="edit" path="path\to\item\Prop_ABC" value="changed value"/>
      <!-- Add a property -->
      <Property action="add" parent_path="path\to\item" name="Prop_XYZ" type="string" value="new value"/>
      <!-- Delete a property -->
      <Property action="delete" path="path\to\item\Prop_123"/>
    </Input>
    <!-- Path to output model -->
    <Output filepath="C:\path\to\output\model.jt"/>
    <!-- Path to log file -->
    <Log filepath="C:\path\to\output\model.log"/>
  </LiteProperties>
</TechniaTranscat>
```

LiteBoundingBox - Calculate bounding box

- Get the size of assembly or part bounding boxes for JT files
- Result is an XML file which can be used in automated processes
- This feature requires a LiteBoundingBox license



```
1 <?xml version="1.0" encoding="utf-8"?>
2 <!DOCTYPE output>
3 <Technia>
4 <LiteBoundingBox version="1.1.1">
5 <Input filePath="E:\Users\scm\Iger\Desktop\
6 <TimeStamp>
7 <Date value="2022-09-23"/>
8 <Time value="12:37:59"/>
9 </TimeStamp>
10 <RootBoundingBox>
11 <XAxisSize mm="378.022"/>
12 <YAxisSize mm="1182"/>
13 <ZAxisSize mm="378.022"/>
14 </RootBoundingBox>
15 <Status message="Generation successful"/>
16 </LiteBoundingBox>
17 </Technia>
```

About TECHNIA

Few things are more complex, costly, or time-consuming than bringing new products to market.

In fiercely competitive industries, increased efficiency and transparency are more in demand than ever. That's why we help clients deploy unique solutions that simplify processes, drive product innovation, and shorten time to market.

We're not saying it will always be straightforward. But with the right mix of technology, people, and dedication, we reduce complexity so companies can accelerate and excel.

We're forward-thinking problem solvers, and we love working with ambitious clients. For us, it's about making sure companies overcome barriers on their way to breakthroughs.

It's about bringing smarter products to market faster.

Smarter
products
faster